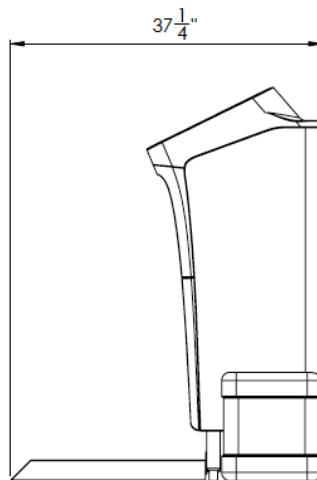
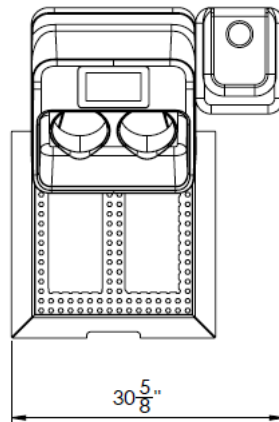


CleanTech® Enhancements

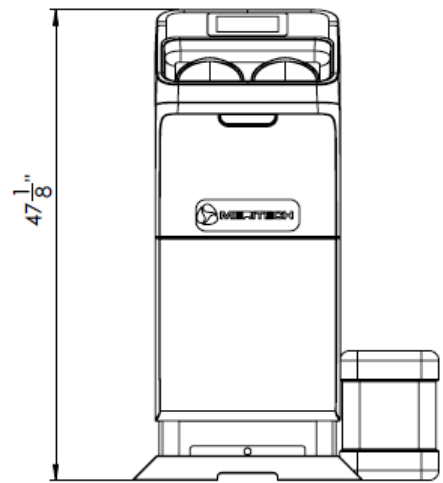
Sole Clean

TECHNOLOGY FOR
FOOTWEAR HYGIENE

Low Moisture Automated Footwear Sanitizing Pan



The Sole Clean Low Moisture Automated Footwear Sanitizing Pan effectively sanitizes any style of footwear in just 12 seconds, making it suitable for dry or semi-dry production facilities. Our fast-evaporating alcohol-quat sanitizing solution effectively eliminates pathogens from footwear and evaporates quickly post-application to limit the introduction of moisture into production zones.



Solutions Storage

One 5 gallon (20L) container of Sanifect D2 footwear hygiene solution

Hygiene Solutions

This station is designed to consistently and effectively sanitize footwear when used with Meritech hygiene solutions. Use of other solutions will void equipment warranty and result in reduced efficacy.

Dimensions

Pan and solutions container with EVO One:
30 5/8" width x 37 1/4" depth
(77.8 cm width, 94.6 cm depth)

Compatible With

CleanTech® EVO One
Single-Station Automated Handwashing System

Features

- Simultaneous handwashing and footwear sanitizing provides a full cGMP hygiene protocol in just 12 seconds
- Alcohol-quat blend sanitizing solution evaporates quickly post-application to reduce moisture
- Soles-only configuration is compatible with all footwear types
- Footwear pan has highly visible caution marking for safety and quick disconnects for easy cleaning.



Ensures hygiene
SOP compliance



Removes 99% of
dangerous pathogens



Full cGMP hygiene protocol
in just 12 seconds

CleanTech® Enhancements

Boot Dip

Automated Wetted Boot Dip Pan

TECHNOLOGY FOR
FOOTWEAR HYGIENE



The Wetted Boot Dip Automated Footwear Sanitizing Pan automatically maintains the recommended PPM of sanitizing chemical for effective pathogen removal from footwear. When combined with a CleanTech® Automated Handwashing Station, it provides a full cGMP employee hygiene protocol that is compliant with food safety standards and regulations.

Features

- Simultaneous handwashing and footwear sanitation provides a full cGMP hygiene protocol in just 12 seconds
- Eliminates the risk of cross-contamination from footwear
- Automatically maintains required PPM concentration of footwear hygiene solution
- Soles-only configuration is compatible with all footwear types
- Depth available to 1/2"

Compatible With

- CleanTech® EVO One Single-Station Automated Handwashing System

Interior Rubber Footwear Mat

When ordering, please specify the height of the interior rubber boot mat in order to control the solution depth in the pan.

- 1/8" solution depth, soles-only (#163)
- 1/4" solution depth (#164)
- 3/8" solution depth (#165)
- Custom depth to 1/2"

Unless otherwise specified, systems will ship with a soles-only mat.

Dimensions

Pan with CleanTech® EVO One:
23" width x 37 1/4" depth
(58.4 cm width, 94.6 cm depth)

Hygiene Solutions

This station is designed to consistently and effectively remove pathogens from footwear when used with Meritech hygiene solutions. Use of other solutions will void equipment warranty and result in reduced efficacy.

Plumbing / Drain

Two 3/4" mail pipe stubs for pan drainage. Floor drain required.

Highlights

- Quick disconnects for easy cleaning
- Highly visible caution markings for safety
- Equipped with an easy reprime button to refill the pan after cleaning or at start-up
- Integrated handle for draining



Ensures hygiene
SOP compliance



Removes 99% of
dangerous pathogens

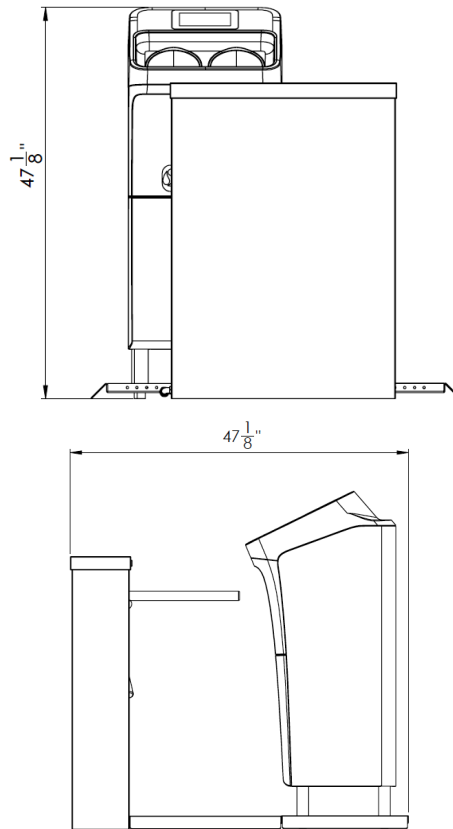


Full cGMP hygiene protocol
in just 12 seconds

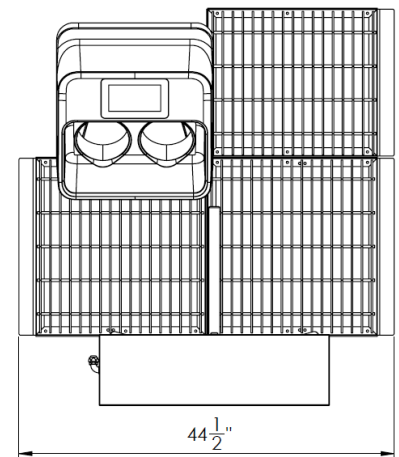
CleanTech® Enhancements

Controlled Access

Turnstile that limits entry to production areas



This turnstile will remain closed until the successful completion of the CleanTech® EVO One Automated Handwashing cycle, thus guaranteeing a proper hand hygiene event prior to entering a controlled zone. If installed at each entryway, food safety managers, inspectors and auditors can have peace of mind that every person entering the facility is clean and safe.



Weight

335 lbs (204kg) - varies with options

Shipping Weight

450 lbs (152 kg) - varies with options

Electrical

120 VAC 50/60 Hz, 160 W - international plugs available

Dimensions

44 1/2" width x 47 1/8" depth x 47 1/8" height
(113 cm width x 120 cm depth x 120 cm height)

Compatible With

CleanTech® EVO One
Single-Station Automated Handwashing System

Features

- Two turnstile orientation options to accommodate both entrances and exits
- Supports integrated footwear enhancements for simultaneous handwashing and footwear sanitizing provides a full cGMP hygiene protocol in just 12 seconds
- Stainless steel wall add-on to mount air dryer or paper towel dispenser



Ensures hygiene
SOP compliance



Removes 99% of
dangerous pathogens



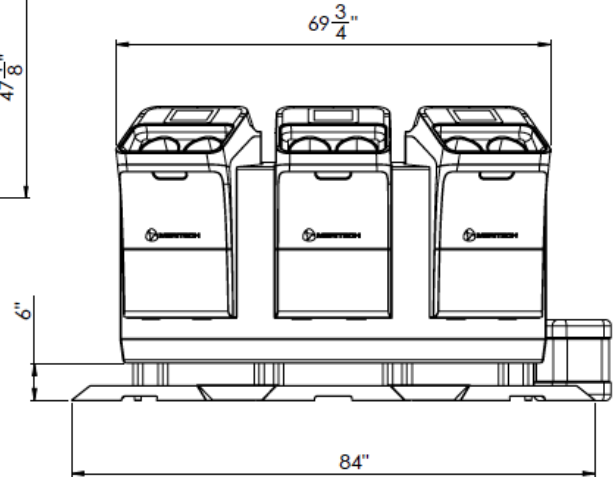
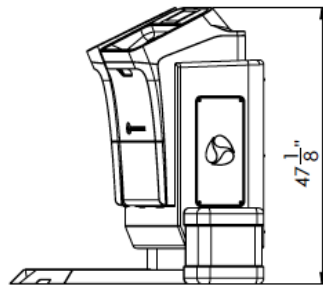
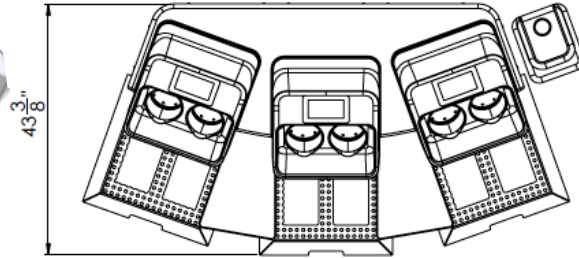
Optional full cGMP hygiene
protocol in just 12 seconds

CleanTech® Enhancements

Sole Clean

TECHNOLOGY FOR
FOOTWEAR HYGIENE

Low Moisture Automated Footwear Sanitizing Pan with EVO Three



The Sole Clean Low Moisture Automated Footwear Sanitizing Pan effectively sanitizes any style of footwear in just 12 seconds, making it suitable for dry or semi-dry production facilities. Our fast-evaporating alcohol-quat sanitizing solution effectively eliminates pathogens from footwear and evaporates quickly post-application to limit the introduction of moisture into production zones.

Solutions Storage

One 5 gallon (20L) container of Sanifect D2 footwear hygiene solution

Hygiene Solutions

This station is designed to consistently and effectively sanitize footwear when used with Meritech hygiene solutions. Use of other solutions will void equipment warranty and result in reduced efficacy.

Dimensions

Pan and solutions container with EVO One:
84" width x 43 3/8" depth
(213.36 cm width, 110.17cm depth)

Features

- Simultaneous handwashing and footwear sanitizing provides a full cGMP hygiene protocol in just 12 seconds
- Alcohol-quat blend sanitizing solution evaporates quickly post-application to reduce moisture
- Soles-only configuration is compatible with all footwear types
- Footwear pan has highly visible caution marking for safety and quick disconnects for easy cleaning.



Ensures hygiene
SOP compliance



Removes 99% of
dangerous pathogens



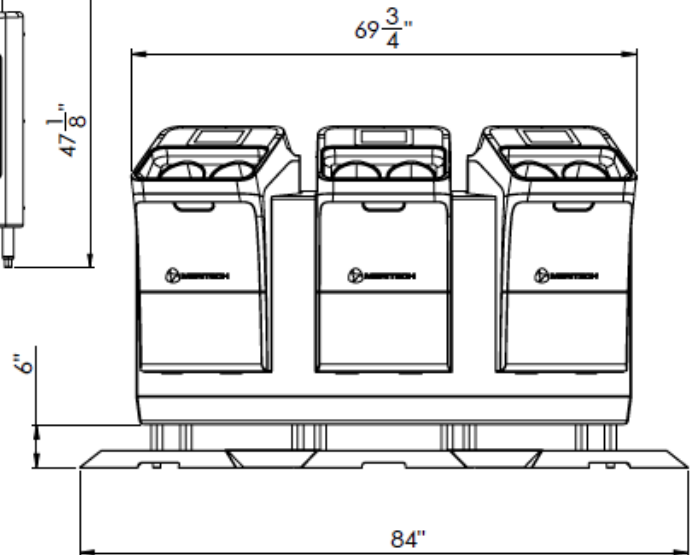
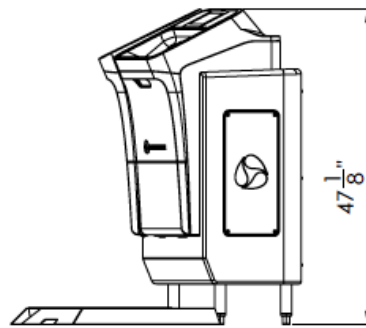
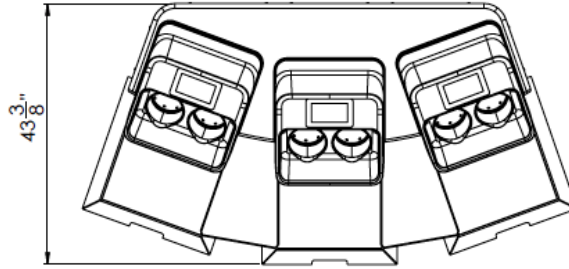
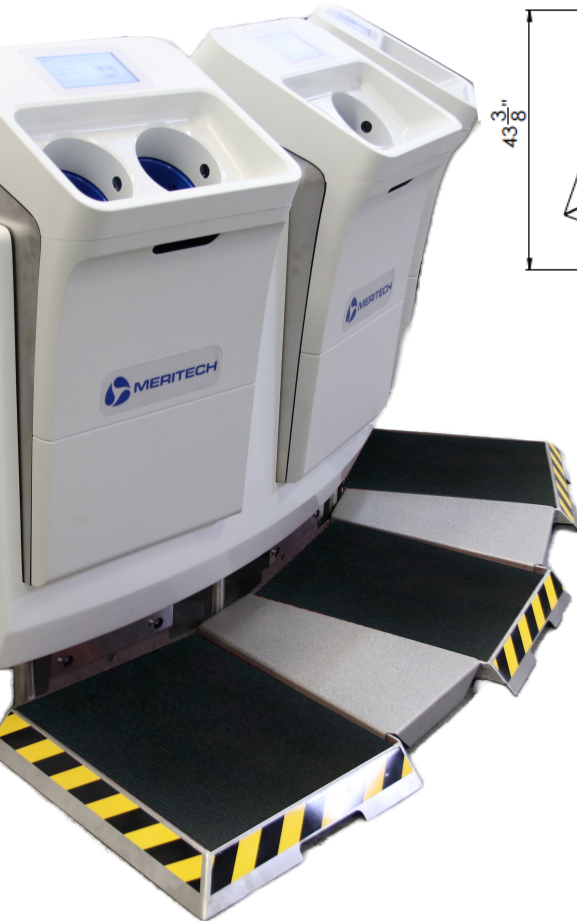
Full cGMP hygiene protocol
in just 12 seconds

CleanTech® Enhancements

Boot Dip

Automated Wetted Boot Dip Pan with EVO Three

TECHNOLOGY FOR
FOOTWEAR HYGIENE



The Wetted Boot Dip Automated Footwear Sanitizing Pan automatically maintains the recommended PPM of sanitizing chemical for effective pathogen removal from footwear. It provides a full cGMP employee hygiene protocol that is compliant with food safety standards and regulations in just 12 seconds and eliminates the risk of contamination from footwear.

Interior Rubber Footwear Mat

When ordering, please specify the height of the interior rubber boot mat in order to control the solution depth in the pan.

- 1/8" solution depth, soles-only (#163)
- 1/4" solution depth (#164)
- 3/8" solution depth (#165)
- Custom depth to 1/2"

Unless otherwise specified, systems will ship with a soles-only mat.

Dimensions

Pan with CleanTech® EVO Three:
84" width x 43 3/8" depth
(213.36 cm width, 110.17cm depth)

Hygiene Solutions

This station is designed to consistently and effectively remove pathogens from footwear when used with Meritech hygiene solutions. Use of other solutions will void equipment warranty and result in reduced efficacy.

Plumbing / Drain

Six 3/4" male pipe stubs for pan drainage. Floor drain required.

Features

- Quick disconnect for easy cleaning
- Highly visible caution markings for safety
- Equipped with an easy reprime button to refill the pan after cleaning or at start-up
- Soles-only configuration compatible with all footwear types



Ensures hygiene
SOP compliance



Removes 99% of
dangerous pathogens



Full cGMP hygiene protocol
in just 12 seconds